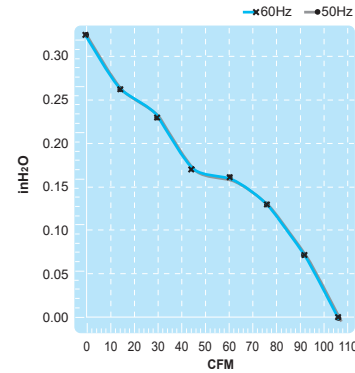
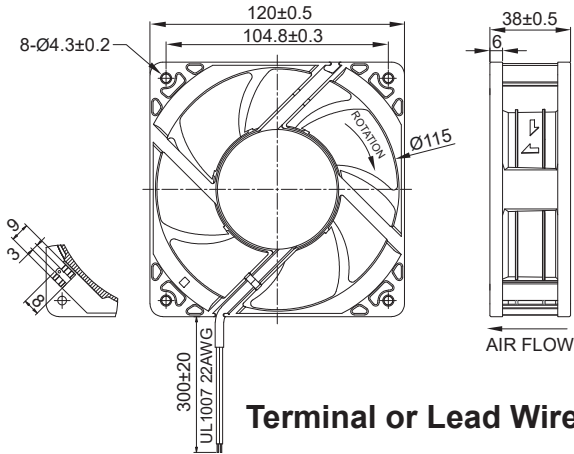


# EC1238 Series.

Platic Impeller / Explosion Proof.

Size : 120 x 120 x 38  
Unit : mm

(Axial Fan)



Terminal or Lead Wire Type

Electronically-Protected



Spec.	Rated Voltage	Frequency	Input Power	Rated Current	Locked Current	Speed	Maximum Air Flow	Maximum Air Flow	Maximum Pressure	Maximum Pressure	Noise	Weight
Model	V	Hz	W	A	A	RPM	m <sup>3</sup> /min.	CFM	mmH <sub>2</sub> O	InchH <sub>2</sub> O	dB	kg
EC1238 -URM1D4Aex	115~230	50/60	4.9 (115V) 5.2 (230V)	0.08 (115V) 0.06 (230V)	0.09 (115V) 0.06 (230V)	3200	3.0	106	8.6	0.34	43	0.29